

STEERING GEAR & DRAG LINK

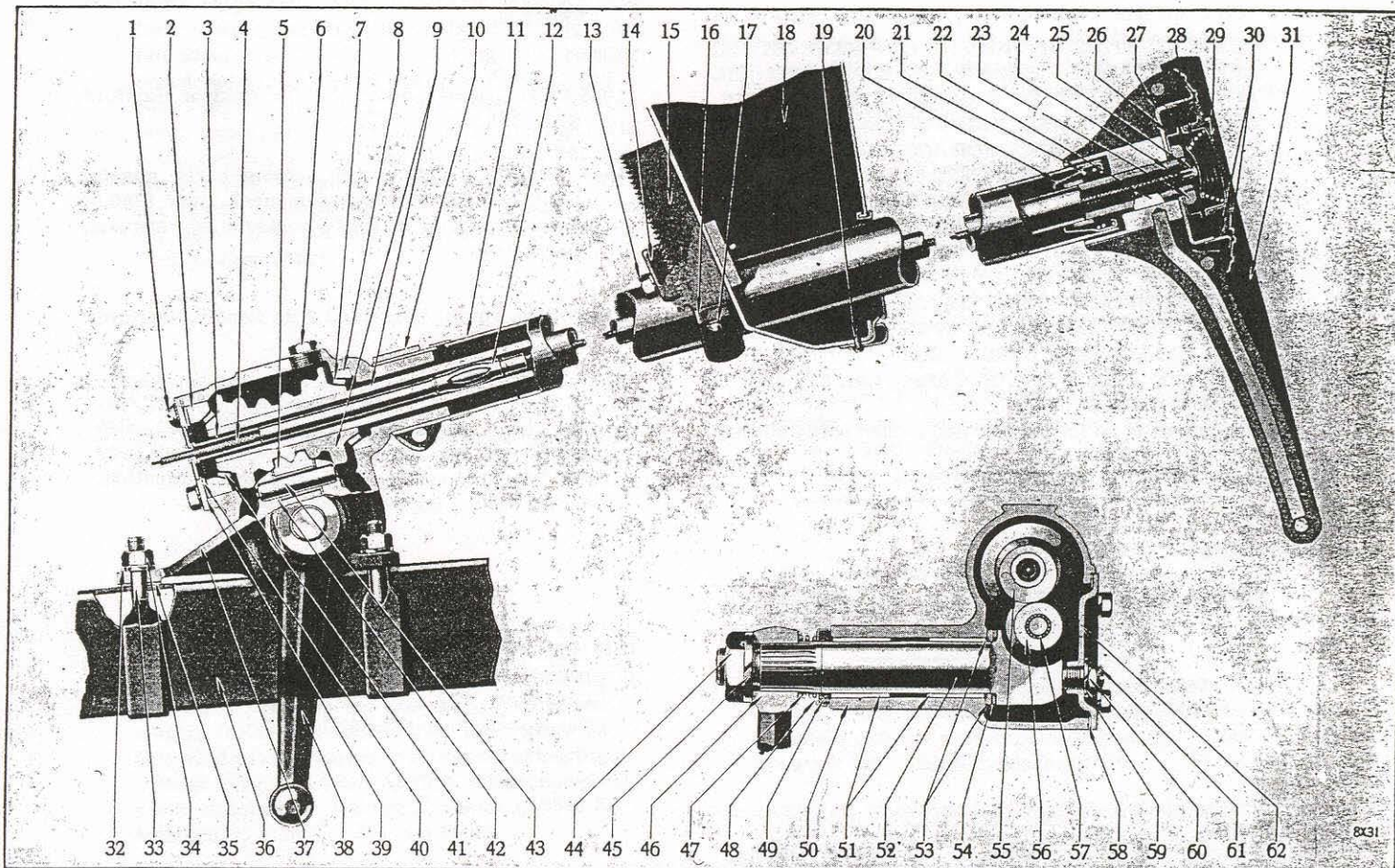


FIG. 1100—Steering Gear

- | | |
|--|---|
| 1—Steering gear housing lower cover screw | 32—Steering gear to frame fastening nut lockwasher |
| 2—Steering gear worm lower bearing spacer and bearing cup assembly | 33—Steering gear to frame fastening clip |
| 3—Steering gear grease retaining tube assembly | 34—Steering gear to frame fastening nut |
| 4—Horn button cable assembly | 35—Steering gear to frame adjusting shim |
| 5—Steering gear shaft roller tooth | 36—Frame sidemember—left |
| 6—Steering gear housing oil filler plug | 37—Steering gear housing assembly |
| 7—Steering gear worm thrust bearing cage and roller assembly | 38—Steering gear arm |
| 8—Steering gear worm thrust bearing cup | 39—Steering gear housing lower cover gasket |
| 9—Steering gear tube and worm assembly | 40—Steering gear worm lower thrust washer |
| 10—Steering gear column jacket clamp | 41—Steering gear worm thrust bearing assembly |
| 11—Steering gear column jacket and bushing assembly | 42—Steering gear shaft roller tooth shims |
| 12—Steering gear grease retaining tube silencer | 43—Roller tooth pin |
| 13—Steering column bracket adjusting plate screw | 44—Steering gear arm nut |
| 14—Steering column bracket adjusting plate | 45—Steering gear arm nut lockwasher |
| 15—Steering column bracket assembly | 46—Steering gear arm |
| 16—Steering column bracket cap | 47—Steering gear shaft oil seal spring |
| 17—Steering column bracket screw | 48—Steering gear shaft oil seal retainer |
| 18—Steering column bracket support assembly | 49—Steering gear shaft oil seal |
| 19—Steering column bracket support screw | 50—Steering gear housing assembly |
| 20—Steering column jacket bearing assembly | 51—Steering gear housing bushings |
| 21—Steering column jacket bearing spring | 52—Steering gear shaft and roller tooth assembly |
| 22—Steering wheel key | 53—Steering gear shaft thrust washer shims |
| 23—Steering wheel nut | 54—Steering gear shaft thrust washer |
| 24—Steering wheel nut insulator | 55—Steering gear worm |
| 25—Horn button cable terminal | 56—Steering gear shaft roller tooth |
| 26—Horn button contact cup | 57—Roller tooth roller bearings |
| 27—Steering wheel nut cup | 58—Steering gear shaft cover gasket |
| 28—Horn button spring | 59—Steering gear shaft adjusting screw nut lockwasher |
| 29—Horn button assembly | 60—Steering gear shaft adjusting screw nut |
| 30—Horn button retainer assembly | 61—Steering gear shaft adjusting screw |
| 31—Steering wheel assembly | 62—Steering gear shaft cover |